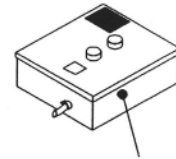
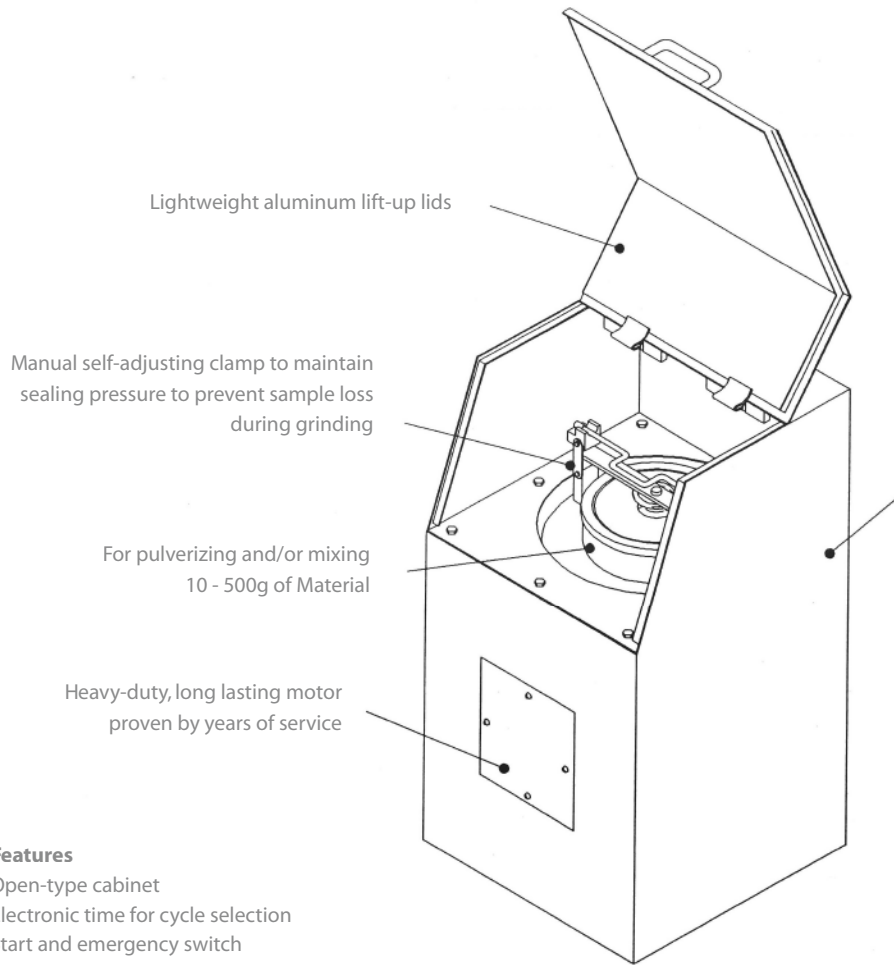
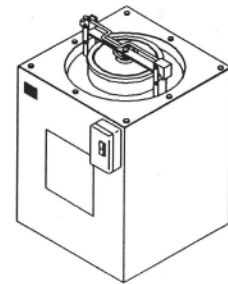


# Swing Mill Grinder SP-2000 CAT NO. 010-010-200



Panel with electronic timer can be mounted on either side

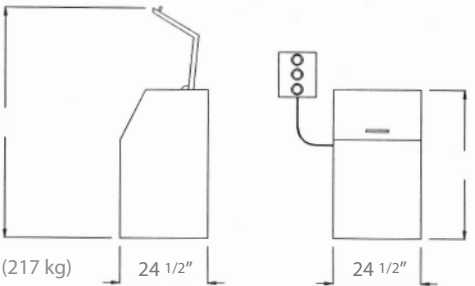
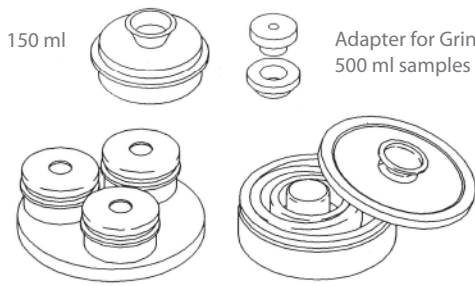
Rugged steel frame has been wheelabrated, primed and painted with a full enclosure cabinet with sound dampening lining



**Model: SP 2000**

### Features

- Open-type cabinet
- Electronic time for cycle selection
- Start and emergency switch
- Full enclosure cabinet with sound dampening lining

Technical Specifications	Grinding Barrels
 <p>Weight: 480 lbs (217 kg)     24 1/2"     24 1/2"</p> <p>Power: 3 Phase/60 cycle, 1 Hp Motors standard 1 Phase and/or 50 cycle motors available</p>	 <p>150 ml     Adapter for Grinding 500 ml samples</p> <p>250 ml</p> <p>Triple head adapter plate modifies your machine to grind (3) separate samples (10-50g) simultaneously</p>